



OZ-Exp-FL1

Electrical data

| | |
|--------------------------|----------------------|
| Model | OZ-EXP-FL1 |
| Operating Frequency | Ac100-277 V, 50/60Hz |
| Power Factor λ | >0.95 |
| Efficiency In % | >98% |
| Start time(0.2s/0.5s/... | 0.1S |
| Warm-up time to 60% | 0.5S |

Photometric Data

| | |
|-------------------------|---------------------|
| Color Temperature - CCT | 3000K, 4000K, 6000K |
| Color Rendering Index | >70 |
| Sdcm | <5 |
| Beam Angle | 120°x120° |

| | |
|--------------------|-----------------------|
| Driver | Meanwell – HLG series |
| Ingress Protection | IP68 |
| Source | Bridgelux SMD 3030 |

Life Span

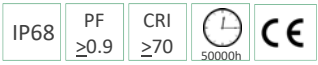
| | |
|-------------------------|-------------------|
| Rated Nominal Life time | 50,000 hrs. |
| Switching cycle | 100,000 times |
| Led Device life time | L80/B10 @ 50,000H |
| Luminous | 120Lm/w |

Material & Protection

| | |
|-------------------|-------------------------|
| Protection | IP68 |
| Impact protection | IK9 |
| Installation | Multiple |
| Material | Aluminum Die-Cast ADC12 |

Temperature

| | |
|-----------------------|--------------------------|
| Operating temperature | -40~+50c |
| Options | Photocell, Motion Sensor |



| Item Ref | Power | Nominal Luminous flux | Source SMD | Light Efficiency | P.F | CRI |
|----------------|----------|-----------------------|--------------|------------------|-------|-----|
| OZ-EXP-FL1-40 | 40 watt | 4800 Lm | 3030 36 Pcs | 120 Lm/w | ≥ 0.9 | >70 |
| OZ-EXP-FL1-60 | 60 watt | 7200 Lm | 3030 108 Pcs | 120 Lm/w | ≥ 0.9 | >70 |
| OZ-EXP-FL1-80 | 80 watt | 9600 Lm | 3030 108 Pcs | 120 Lm/w | ≥ 0.9 | >70 |
| OZ-EXP-FL1-100 | 100 watt | 12000 Lm | 3030 108 Pcs | 120 Lm/w | ≥ 0.9 | >70 |
| OZ-EXP-FL1-120 | 120 watt | 14400 Lm | 3030 192 Pcs | 120 Lm/w | ≥ 0.9 | >70 |
| OZ-EXP-FL1-150 | 150 watt | 18000 Lm | 3030 192 Pcs | 120 Lm/w | ≥ 0.9 | >70 |
| OZ-EXP-FL1-185 | 185 watt | 21600Lm | 3030 192 Pcs | 120 Lm/w | ≥ 0.9 | >70 |

LED Anti-Explosive Lights

UL844: Class I Division 2 Group A B C D

ATEX: Group II Zone 1 & Zone 2, Zone21 & Zone22

IECEX: Group II Zone 1 & Zone 2, Zone21 & Zone22

CNEX: Group II Zone 1 & Zone 2, Zone21 & Zone22





FEATURES

- 1.High Efficacy low decay 700MA LED chip
- 2.High heat transmit die cast housing ADC12 aluminum, patent design, IP68
- 3.Shock and vibration resistant tempered glass, super clear 95% light transmit rate
- 4.Anti-glare. Scientific optical reflector design, making the light more focus, even, comfortable for eyes
- 5.Original Bridgelux LED source, high luminous efficacy and long lifespan
- 6.MEANWELL HLG series driver, the highest level of MEANWELL driver
- 7.Surface Treatment-Powder painted, salt resistant and chemical resistant, also hard for dust to accumulate on the surface
- 8.2.0mm aluminum PCB with heat index 2.5, keep LED working under cool temperature
- 9.Working temperature: -30°C to 50°C.
- 10, IK09 robust design
- 11, UL1598A certified housing, suitable for marine

Certification: ATEX, UL, CUL, DLC, UL1598A, PSE, SAA&C-TICK, CQC, CE, ROHS, IP68

APPLICATIONS

1. Suitable for gas station, petroleum and chemical industries, coal mine, military, airport, warehouse, marine etc.
2. Zone1 & Zone2 gaseous environment, and Zone21 & Zone22 dust environment.
3. Class I Division 2 Group A, B, C, D



Chemical Factory



Offshore Oil Mining



Military Ship



Army Base



Gas Station



Petrol Process Factory



Traning Camp

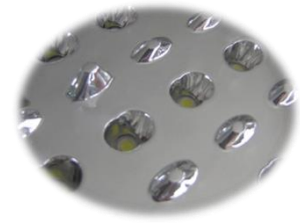


Navy Port

DETAILS



UL TUV CB EMC CE certified MW HLG series power driver, IP67 protective level, 7 years' warranty.



The integration of reflective optical design, install directly in the light body, make the light more focus and comfortable for eyes.

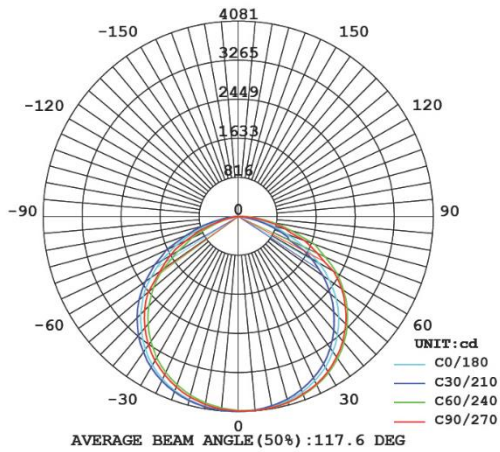


High pressure die casting alloy aluminum housing, create through high pressure (1600 ton) in one piece, high explosion proof level and IP68 waterproof protection.

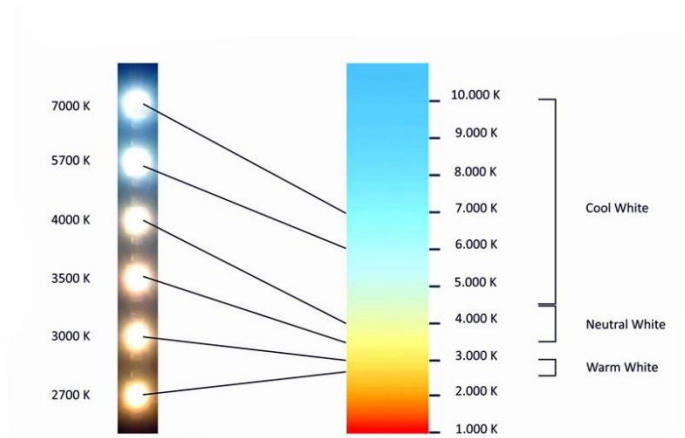


LED chip with 2.0mm thick Aluminum PCB board installed directly onto Aluminum Shell. As a result, the whole lamp is integrated as a radiator for the LED chips. Besides, the distance of LEDs are good enough for spreading heat, to ensure long lifespan, and with special circuit design, each LED chip won't affect the others when fail to work, so the lamp will keep working even if some LED chips stopped.

PHOTOMETRIC CURVE

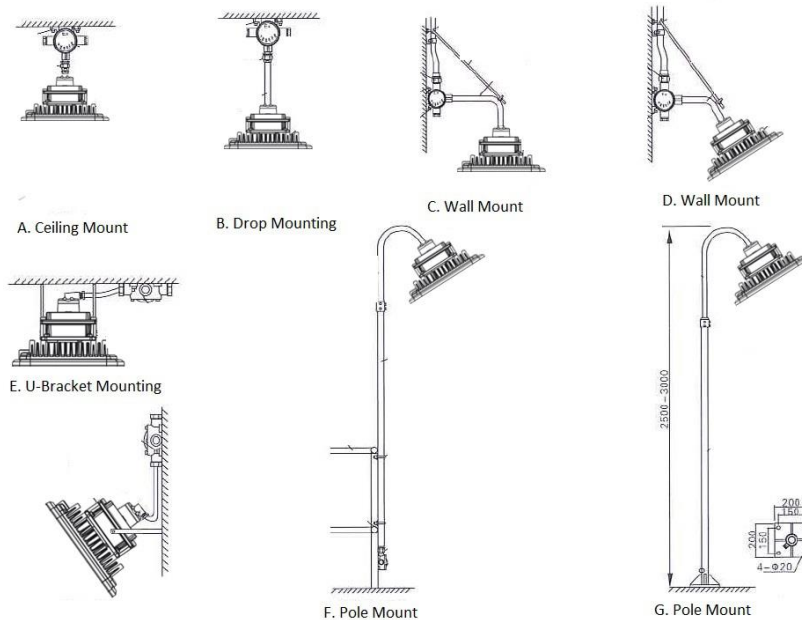


COLOR TEMPERATURE



120°x120° (40W/100W/185W)

INSTALLATION



- Fixture is equipped with Bracket
- Connection outlet conduit: 3/4" NPT
- Conduit and pole are not included in products.
- All installation must conduct by qualify electrician.
- Seal must be placed in each conduit

MOUNTING KITS OPTIONS

1. U shaped bracket



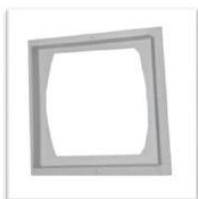
2. Adjustable Wall/Ceiling Mount Plate



3. High bay mount hook



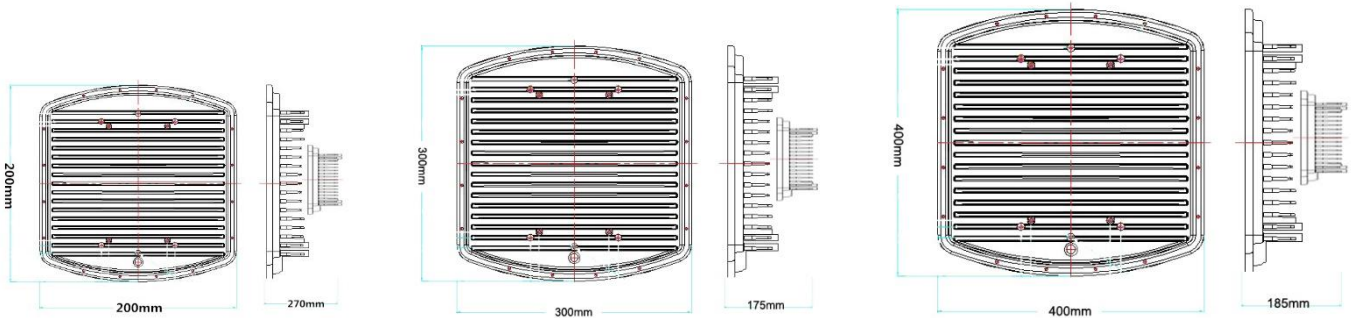
4. Recessed mount holder



Wireless brackets



Dimensions

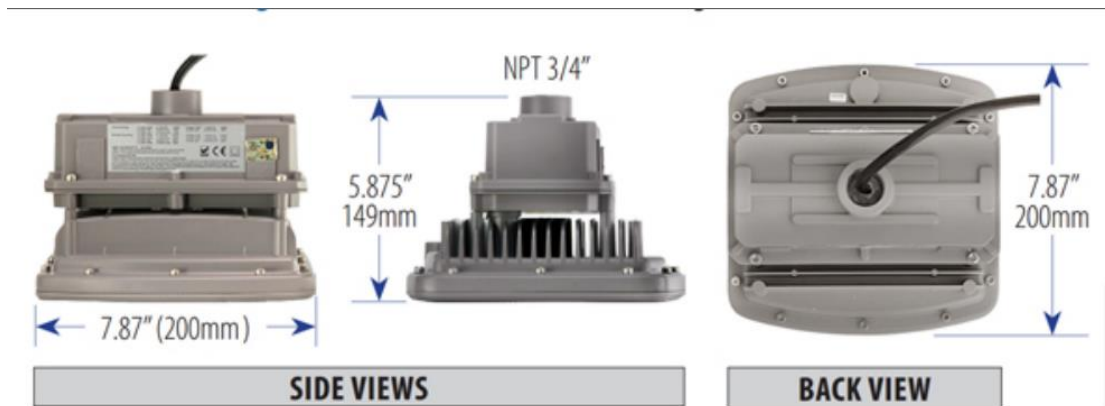


OZ-EXP-FL1-40S

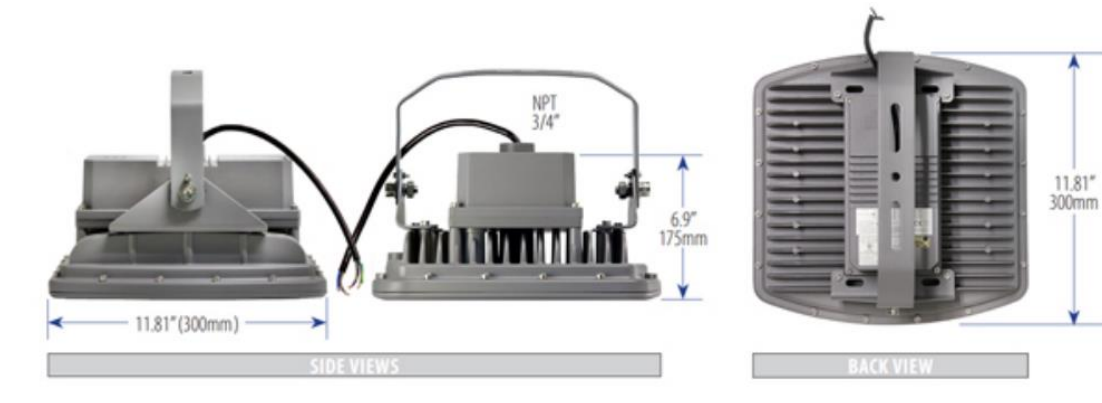
OZ-EXP-FL1-100

OZ-EXP-FL1-185

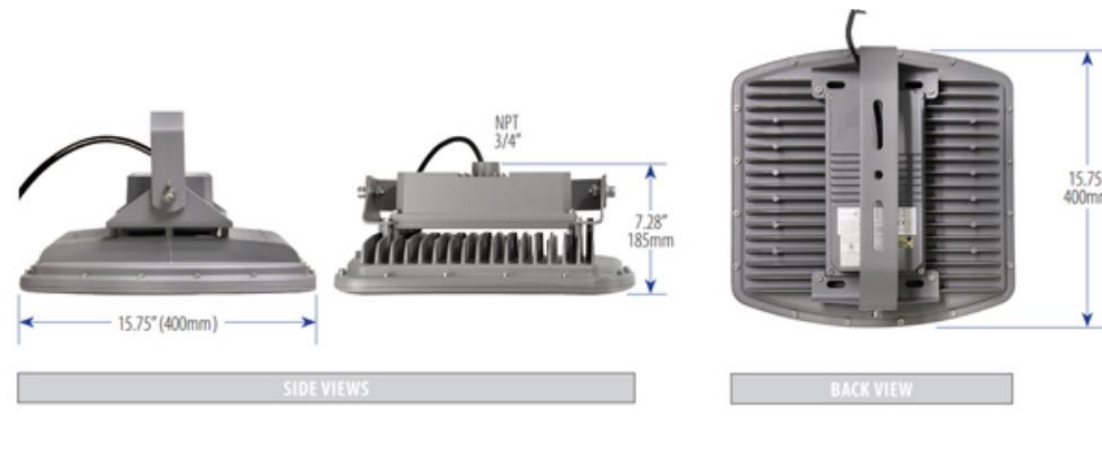
OZ-EXP-FL1-40S



OZ-EXP-FL1-100



OZ-EXP-FL1-185



| Packing Information | | | | |
|---------------------|----------------|---------|---------|---------|
| Item No. | Outside Carton | QTY/CTN | N.W. | G.W. |
| OZ-EXP-FL1-185 | 460x460x240mm | 1 | 11.5kgs | 12.5kgs |
| OZ-EXP-FL1-100 | 370x370x240mm | 1 | 7.5kgs | 8.5kgs |
| OZ-EXP-FL1-40S | 360*250x200mm | 1 | 4kgs | 4.5kgs |